

donsbulbs.com

rare light bulbs
specialty lamps

[HE](#)
[welcome](#)
[general info](#)

miniature light bulb lamp

1156

is known as:

1156 12.8V 2.1A USA

(1156/12.8V/2.1A USA)

approximately 49 bulbs in stock

enter quantity:

overstock discount:

bulb quantity:	1+	41
price per bulb:	\$6.50	\$1.40

1156 12.8V 2.1A USA bulb specifications:

category: [i](#) **Miniature**

volt: [i](#) **12.8**

amp: [i](#) **2.1**

watt: [i](#) **26.9**

base: [i](#) **BA15s** - Single Contact Candelabra Bayonet (or S.C. Bayonet)

glass: [i](#) **S8**

filament: [i](#) **C6**

fil.res.: [i](#) **6.1 ohm**

m.o.l.: [i](#) **2 inch (50MM)**

l.c.l.: [i](#) **1.25 inch (31MM)**

burn pos: [i](#) burn lamp in **ANY** position

i.lumens: [i](#) **402**

cp: [i](#) **32**

d.hours: [i](#) **600**

1156 12.8V 2.1A USA

also known as

Cross-Reference:

12V-32CP-2.1A-BA15S
12V-32CP-2.1A-SC
12V-32CP-BA15S
12V-32CP-BA15S-C6
12V-32CP-SC
12V-32CP-SC-C6
12V/23W/BA15S/S8/C6
12.8-027-04 CANIMPEX
12.8-027-04 MICROLITES
28-1156 POLI-AUTO
74 OSRAM
00234-01156 TOYOTA
920-033/12.8V/2.1A LEITZ/LEICA
920-033 LEITZ/LEICA
920-033 LEITZ/LEICA
920/033 LEITZ/LEICA
920 033 LEITZ/LEICA
1156-BLISTER-PACK EIKO
1156/12V/32CP CANDLEPOWER
1156/12V/32CP USA
1156/12.8V/2.1A USA
1156/12.8V/2.1A USA
1156/BLISTER-PACK EIKO
1156 AC/DELCO
1156 BLISTER-PACK EIKO
1156 BMC
1156 BULB-DIRECT
1156 BULBRITE
1156 CANDLEPOWER
1156 CANDLEPOWER-INCORPORATED
1156 CEC
1156 CHICAGO-MINIATURE

AS3625 AIDLITE
AS4615
C3DZ-13446-A FORD
C3DZ13446A FORD
L1156 AC/DELCO
LA-015 LIL-AUTO-STORE
LA/015 LIL-AUTO-STORE
LA 015 LIL-AUTO-STORE
LA015 LILAUTOSTORE
MB-11560
MB/11560
MB 11560
MB11560
S6895 SATCO

notes: ⓘ automobile lamp

clear glass

EMERGENCY VEHCAL E LAMP

flasher lamp

incandescent

motorcycle

stop lamp

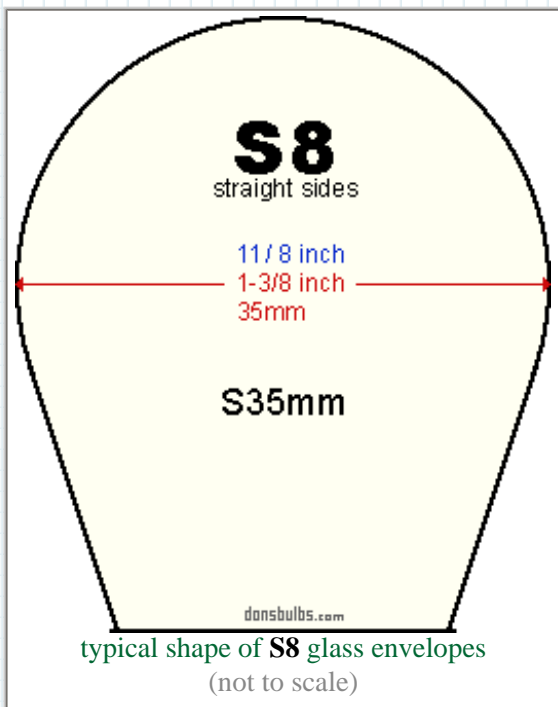
turn signal

have more info? found an error?

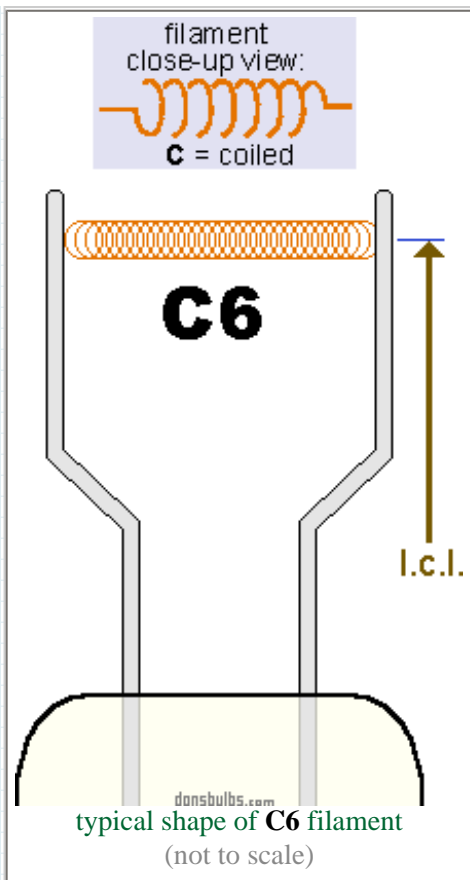
uses socket: [DB-BA15S1](#) socket available



typical photo of 1156 12.8V 2.1A USA bulb type
(your bulb may look slightly different)



- 1156 CPI
- 1156 EIKO
- 1156 FORD
- 1156 GENERAL-ELECTRIC
- 1156 GMH
- 1156 HALCO
- 1156 LUCAS
- 1156 LUGON
- 1156 NORMAN
- 1156 SATCO
- 1156 SYLVANIA
- 1156 USA
- 1156BLISTERPACK EIKO
- 2571 FOCUS
- 4529 STANLEY
- 6240-00-924-7526
- 22845-2
- 26963
- 35630-3
- 36521
- 715015 BULBRITE
- 1547169 GENERAL-MOTORS
- 9417866 GENERAL-MOTORS
- 031293401908 EIKO
- 031293401915 EIKO
- 031293401922 EIKO
- 045923068959 SATCO
- 807154011568 HALCO
- A-4529
- A/4529
- A 4529
- A4529 EUROPEAN
- A4529 STANLEY
- A4575H STANLEY
- A5521J TOSHIBA
- AB-2908
- AB/2908
- AB 2908
- AB2908
- AGI-3417
- AGI-AS-817
- AGI/3417
- AGI/AS/817
- AGI 3417



AGI AS 817
AGI3417
AGIAS817
AS-3625 AIDLITE
AS-4615
AS/3625 AIDLITE
AS/4615
AS 3625 AIDLITE
AS 4615

Know a cross-reference for this bulb
to add to this list?

Please enter:

bulb number

brand of bulb

1156 12.8V 2.1A USA

have been found in equipment:

E.Leitz Incorporated

920-033 Microscope

Gavi

105 BEACON Viewer

155 BEACON Viewer

Pontiac

1952 REAR-LAMP Automobile

Whitehouse Products Incorporated

FS-105-X Projector Slide / Filmstrip

FS-105 Projector Slide / Filmstrip

FS-155-X Projector Slide / Filmstrip

FS-155 Projector Slide / Filmstrip

FS105-X Projector Slide / Filmstrip

FS105X Projector Slide / Filmstrip

FS105 Projector Slide / Filmstrip

FS155-X Projector Slide / Filmstrip

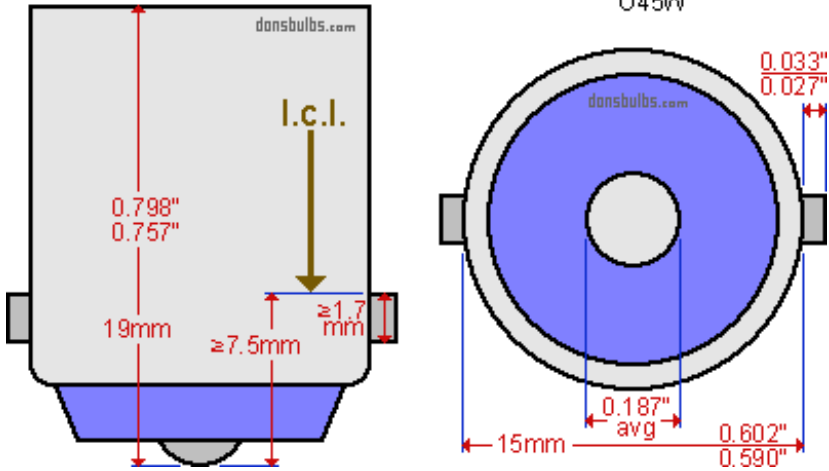
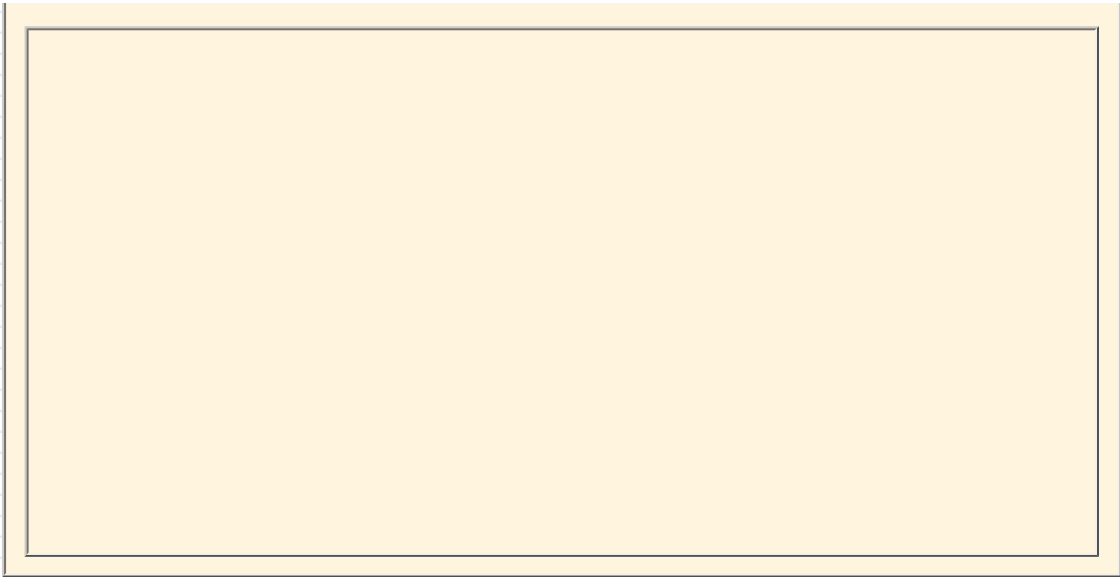
FS155X Projector Slide / Filmstrip

FS155 Projector Slide / Filmstrip

BA15s B15s IEC7004-11A9
 single contact bayonet DIN49720
 SC bayonet IEC7005-13
 single contact candelabra bayonet DIN49642T6
 SCC (British single centre contact)

E
 E25W
 F
 F15W
 G
 P
 P21W
 R
 R5W
 R10W
 R18W
 R21W
 U
 U45W

A18B
 A18C
 A18F
 A18G
 SCC
 SC



industry standards for base:

BA15s - Single Contact Candelabra Bayonet (or S.C.Bayonet)
 (not to scale)