

2336

is known as:

2336-USA

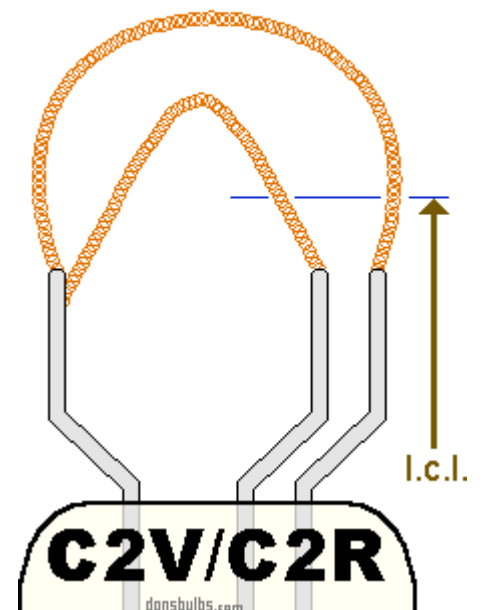
\$23

2336-USA Cross-Reference:

2336-USA
12901-P
12901-PHILIPS
12901P
2336
3756
3756-FOCUS
642850U-MICROLAMP
AB4203
AH-4613
AH-4613-AIDLITE
AH4613
AH4613-AIDLITE
AH5603
FOCUS-3756
P-12901
P12901

2336-USA bulb specifications:

category: **Miniature**
volt: **12.5 / 12.5**
amp: **2 / 2**
watt: **25 / 25**
base: **P15d30** - Double Contact Prefocus Flanged
also known as Double Contact Prefocus Bayonet
also known as **P15d** (Europe)
also known as **P30d** (USA)
glass: **RP11**
filament: **C2V/C2R**
fil.res.: **6.25 / 6.25** ohm
m.o.l.: **2.25** inches
l.c.l.: **1.13** inches
i.lumens: **402 / 402**
cp: **32 / 32**
d.hours: **300**
notes:
antique
Automotive Lamp Clear
Headlight
Incandescent
uses socket: [DB-P15D30-1](#)

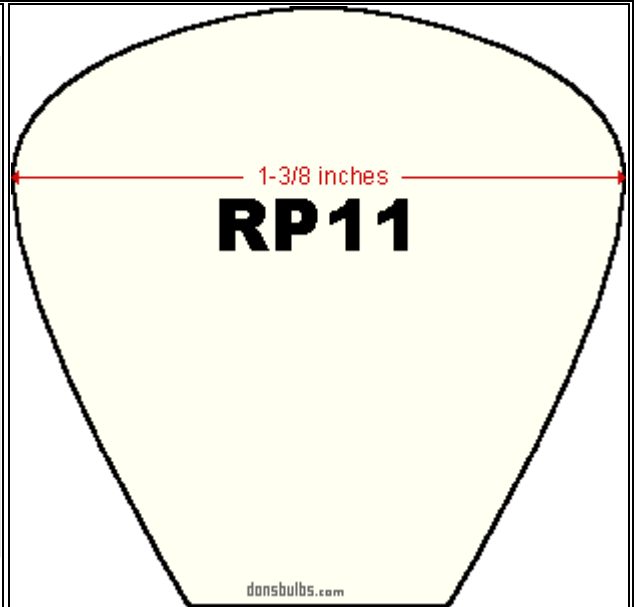


typical shape of C2V/C2R filament
(not to scale)



www.donsbulbs.com

typical photo of 2336-USA bulb type
(your bulb may look slightly different)



1-3/8 inches
RP11

www.donsbulbs.com

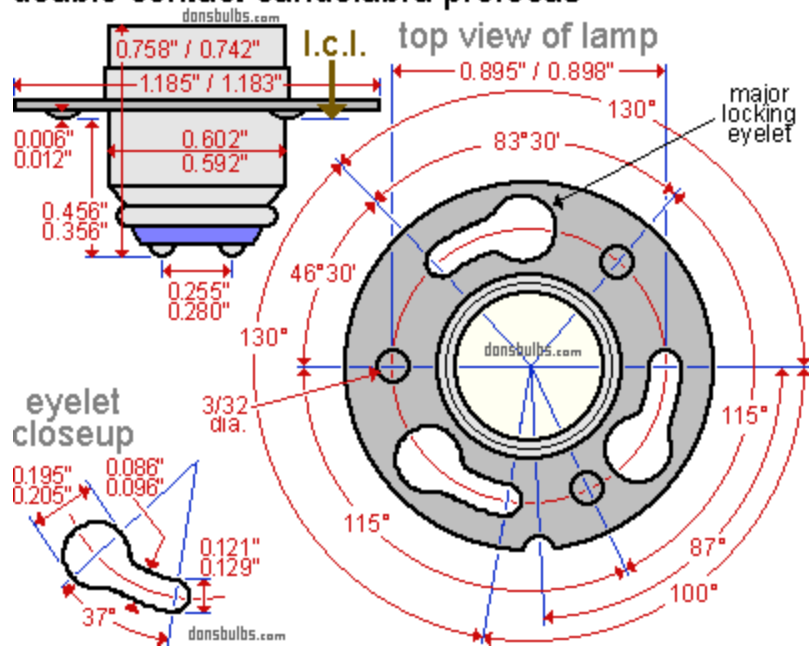
usual shape of RP11 glass envelopes
(not to scale)

P15d30

double contact prefocus
DC prefocus
double contact candelabra prefocus

A26
DCP

P15d
P30d
P30d-10.3
P30da



industry standards for base:

P15d30 - Double Contact Prefocus Flanged also known as Double Contact Prefocus Bayonet
also known as **P15d** (Europe) also known as **P30d** (USA) (not to scale)