

3497 STANLEY is known as: 3497 USA

3497 USA bulb specifications:

category: **SPECIALTY**

volt: **12.8**

amp: **1.95**

watt: **25**

base: **BA15s** - Single Contact Candelabra Bayonet
(or S.C.Bayonet)

glass: **T7**

filament: **C6**

fil.res.: **6.56** ohm

m.o.l.: **2** inches

i.lumens: **566**

cp: **45**

d.hours: **600**

notes:

stop lamp

signal lamp

automobile lamp

krypton

3497 USA

also known as

Cross-Reference:

031293406293 EIKO

031293406453 EIKO

031293406514 EIKO

12/45CANDLE-POWER

12V/45CANDLE-POWER

12V45CANDLE-POWER

26244-4

27418-3

3497

3497 EIKO

3497 STANLEY

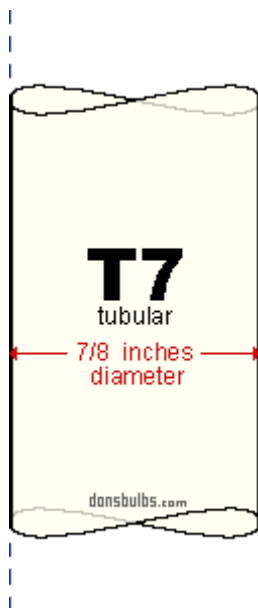
3497 USA

3497/BC EIKO

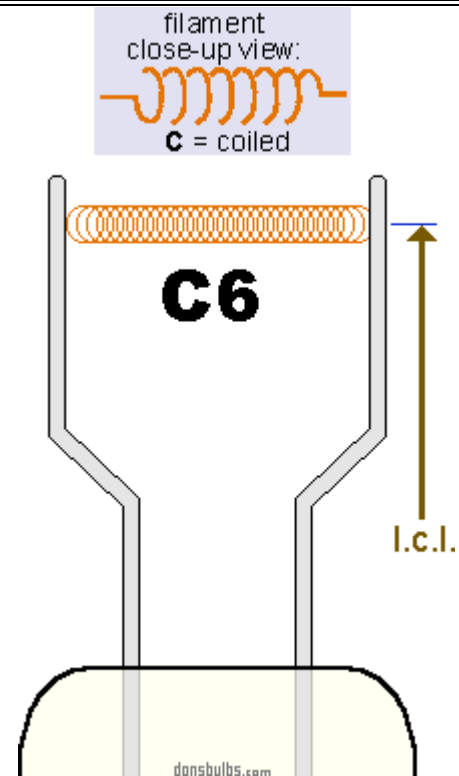
3497/BP EIKO

3497BC EIKO

3497BP EIKO



typical shape of **T7** glass envelopes (not to scale)



typical shape of **C6** filament (not to scale)

BA15s

B15s

IEC7004-11A9

DIN49720

single contact bayonet

IEC7005-13

DIN49642T6

SC bayonet

single contact candelabra bayonet

SCC (British single centre contact)

U
U45W
R
R5W
R10W
R18W
R21W
P
P21W
G
G15W
F
F15W
E
E25W

A18B

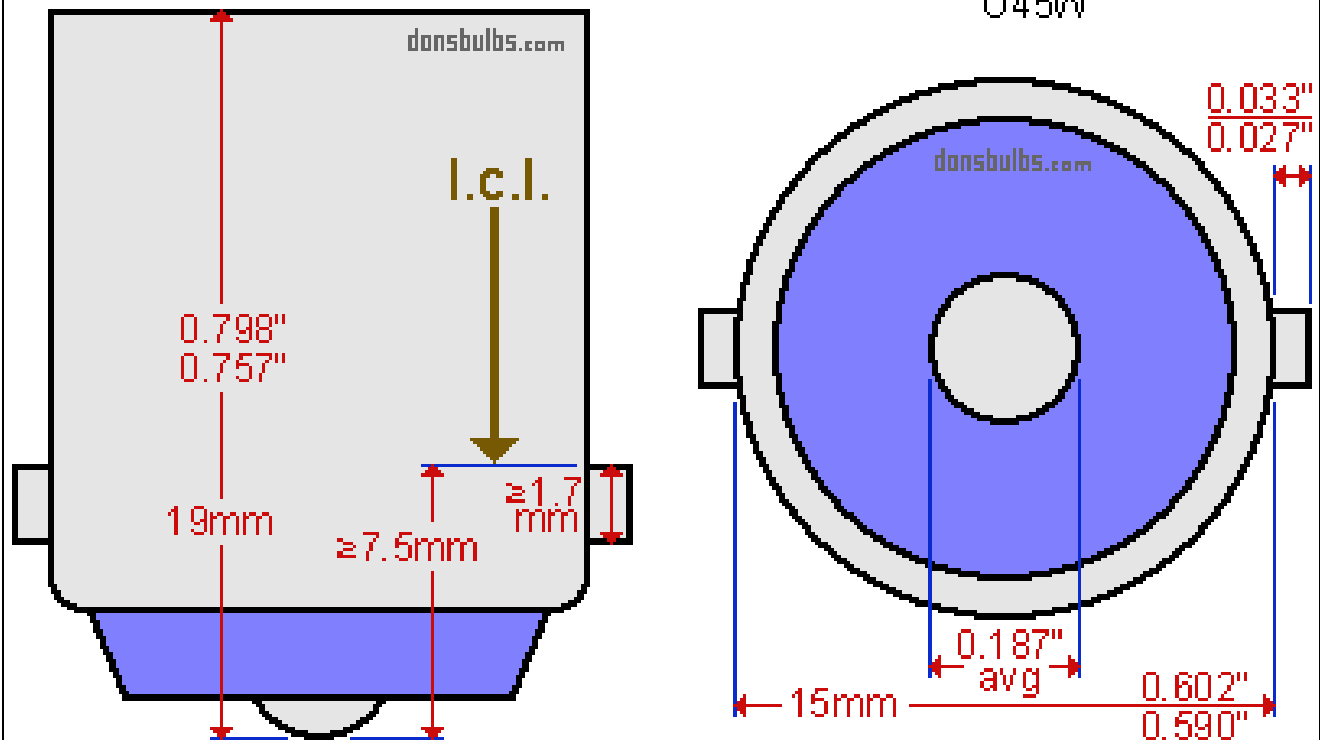
A18C

A18F

A18G

SCC

SC



industry standards for base: **BA15s** - Single Contact Candelabra Bayonet (or S.C.Bayonet) (not to scale)